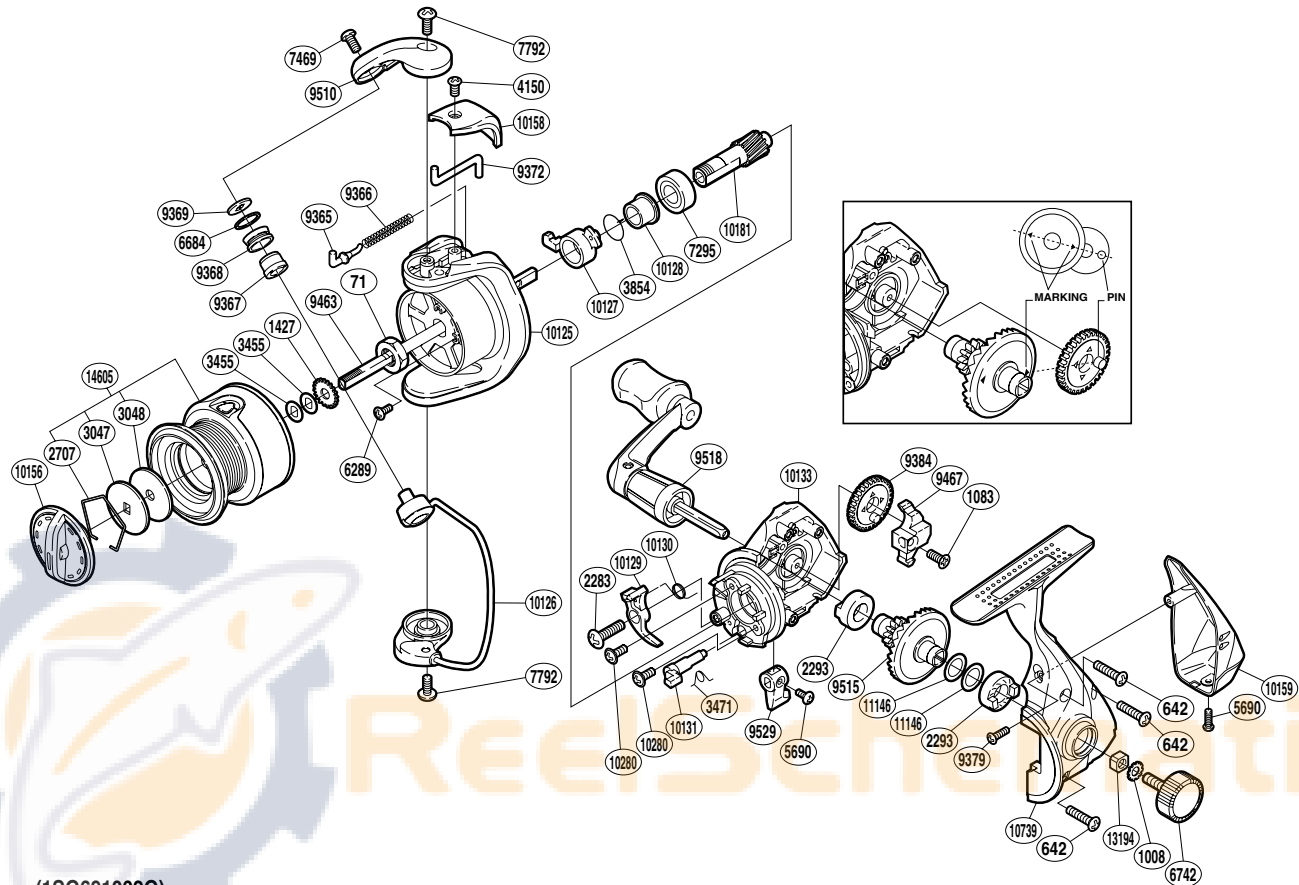


SHIMANO

HYPERLOOP

HL-1000FB



(1SG691002G)

| Part No. | Description | Part No. | Description | Part No. | Description |
|----------|------------------------------|----------|---------------------|----------|--------------------------|
| RD 0071 | Rotor Nut | RD 7295 | Ball Bearing | RD10126 | Bail Assembly |
| RD 0642 | Screw | RD 7469 | Screw | RD10127 | Anti-Reverse Lock Out |
| RD 1008 | Handle Lock Washer | RD 7792 | Screw | RD10128 | Lock Out Spring Holder |
| RD 1083 | Screw | RD 9365 | Bail Spring Guide | RD10129 | Anti-Reverse Pawl |
| RD 1427 | Spool Support | RD 9366 | Bail Spring | RD10130 | Anti-Reverse Pawl Spring |
| RD 2283 | Screw | RD 9367 | Line Roller Bushing | RD10131 | Anti-Reverse Cam |
| RD 2293 | Drive Gear Bushing | RD 9368 | Line Roller | RD10133 | Body |
| RD 2707 | Drag Washers Retainer | RD 9369 | Line Roller Washer | RD10156 | Drag Knob |
| RD 3047 | Key Washer | RD 9372 | Bail Trip Lever | RD10158 | Bail Spring Cover |
| RD 3048 | Drag Washer | RD 9379 | Screw | RD10159 | Rear Protector |
| RD 3455 | Spool Washer | RD 9384 | Oscillating Gear | RD10181 | Pinion Gear |
| RD 3471 | Anti-Reverse Cam Spring | RD 9463 | Main Shaft | RD10280 | Screw |
| RD 3854 | Anti-Reverse Lock Out Spring | RD 9467 | Oscillating Slider | RD10739 | Side Cover |
| RD 4150 | Screw | RD 9510 | Bail Arm | RD11146 | Washer |
| RD 5690 | Screw | RD 9515 | Drive Gear | RD13194 | Handle Screw Lock |
| RD 6289 | Screw | RD 9518 | Handle Assembly | RD14605 | Spool Assembly |
| RD 6684 | Line Roller Spacer | RD 9529 | Anti-Reverse Lever | | |
| RD 6742 | Handle Screw Cap | RD10125 | Rotor | | |